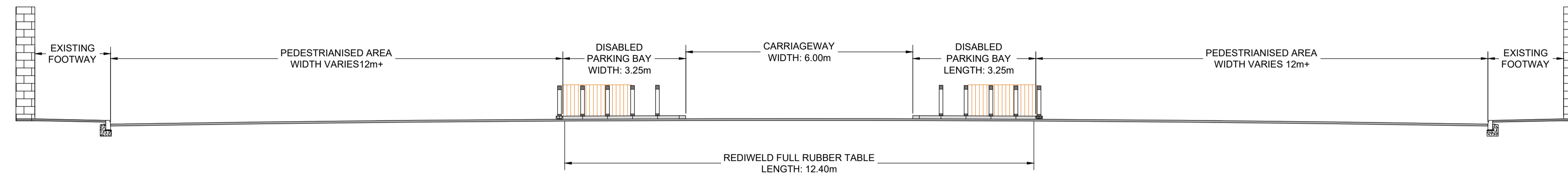


- NOTES:
1. ALL DIMENSIONS ARE IN METRES UNLESS OTHERWISE STATED.
 2. REFER TO DRAWING ARB-12727-1200-01 TO 04 FOR LAYOUT DRAWINGS
 3. THIS DRAWING IS TO BE READ IN CONJUNCTION WITH ALL RELEVANT DOCUMENTS.
 4. TSRGD REFERS TO TRAFFIC SIGNS REGULATIONS AND GENERAL DIRECTIONS 2016.



ARBORETUM PLACE TYPICAL CROSS SECTION

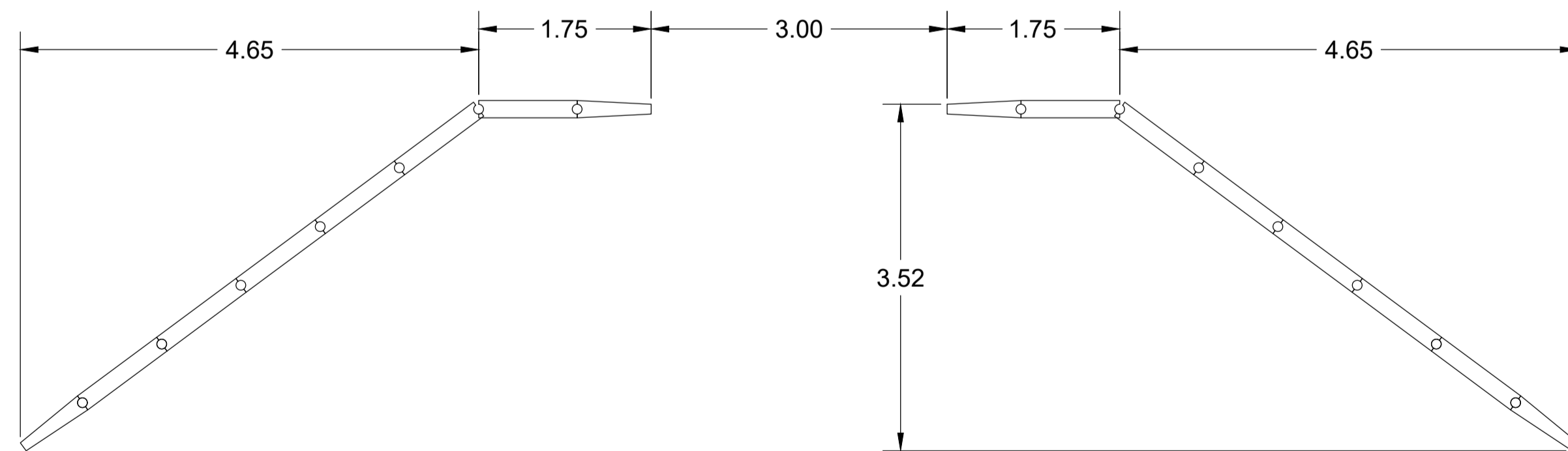
SCALE 1:80



KIRKHOLT PLANTER
<https://www.broxap.com/kirkholt-planter.html>

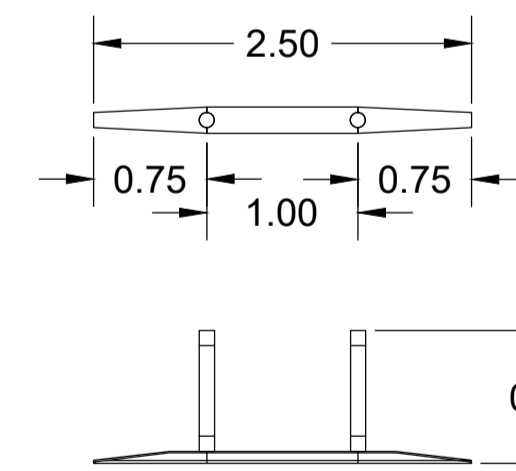


GREENWICH ORCA WANDS - 2.5m LONG
<http://www.rediweltraffico.co.uk/products/cycle-lane-products/greenwich-wand-orca/>

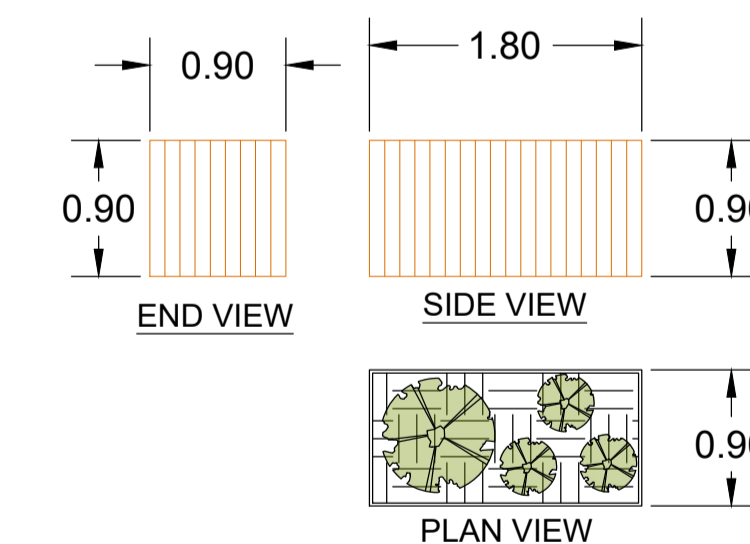


BUILD OUT REDIWELD ORCA WAND
 TYPICAL LAYOUT

SCALE 1:50



GREENWICH ORCA WAND LENGTH 2.5m
 TYPICAL DETAILS



PLANTER UNITS
 1.8x0.9x0.9m
 TYPICAL DETAILS

IMPORTANT SWECO

HEALTH, SAFETY & ENVIRONMENTAL INFORMATION

IN ADDITION TO THE HAZARDS AND RISKS NORMALLY ASSOCIATED WITH THE TYPE OF WORK DETAILED ON THIS DRAWING, PLEASE NOTE THE FOLLOWING SIGNIFICANT RISKS TO HEALTH, SAFETY & ENVIRONMENT:-

THE SIGNIFICANT RISKS ASSOCIATED WITH THE PROJECT ARE NOTED BELOW

Date	There are No Significant Residual Risks For This Element
	NO SIGNIFICANT RESIDUAL OR EXPECTED RISKS THAT A COMPETENT CONTRACTOR WOULD NOT BE AWARE OF AND ANTICIPATED FOR THE WORKS ASSOCIATED WITH THIS DESIGN ELEMENT. FOR RISKS IDENTIFIED DURING THE DESIGN STAGE PLEASE REFER TO THE ARBORETUM PLACE DESIGNERS RISK ASSESSMENT.
Ref: ARBORETUM PLACE DESIGNERS RISK ASSESSMENT	

IT IS ASSUMED THAT ALL WORKS SHALL BE UNDERTAKEN BY COMPETENT CONTRACTOR WORKING WHERE APPROPRIATE TO AN APPROVED SAFE SYSTEM OF WORK.



REVISION	DETAILS	BY	DATE	CHECKED

EDINBURGH
 THE CITY OF EDINBURGH COUNCIL

The City of Edinburgh Council
 Waverley Court
 4 East Market Street
 Edinburgh, EH8 8BG
 Telephone: 0131 200 2000

PLACE MANAGEMENT
 INFRASTRUCTURE
 TRANSPORT DESIGN & DELIVERY

SPACES FOR PEOPLE
 ARBORETUM PLACE
 1100 CONSTRUCTION DETAILS

Date: 07/07/2020 Job No.: 12727
 Scale: AS STATED
 Drawn by: SWECO - AMcN
 Checked by: SWECO - AB
 Reviewed by: SWECO - CF